

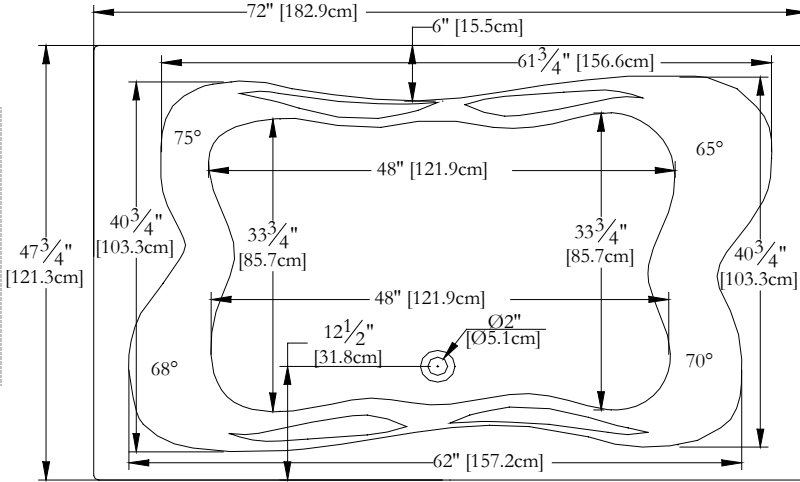


TECHNICAL SPECIFICATIONS

Bath name : *Alexander*
 Collection : Elegance Collection
 Dimensions : 72 X 48 X 25 1/2
 Gallon capacity : 71

Trois-Pistoles

TOP VIEW

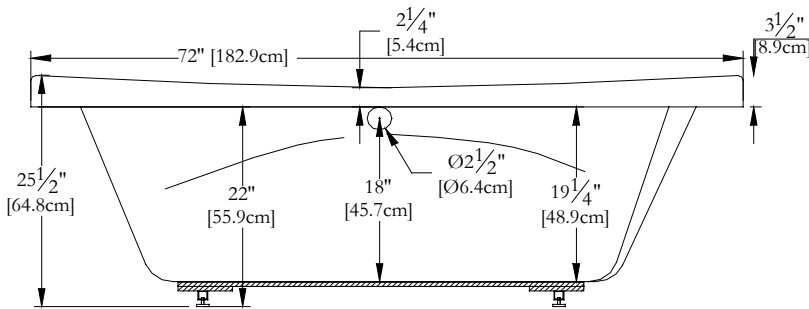


* In compliance with CSA standards, all interior bath measurements taken 4" [10 cm] from the floor.

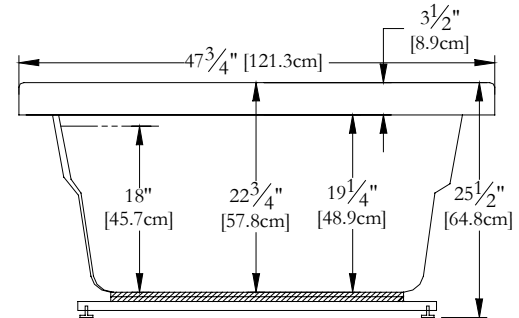
* Total height for soaker is equal to total height of this line drawing less ± 1" [2.5 cm].

* All measurements are precise to ± 1/4" [0.63 cm].
 Technical specifications are subject to change without prior notice.

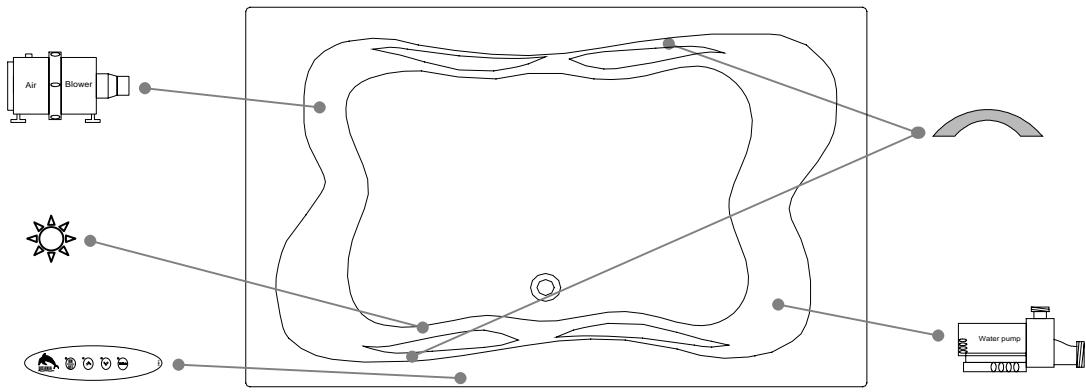
LENGTH

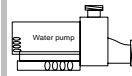
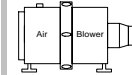





WIDTH



Defaulting positions



-  **Pump**
-  **Blower**
-  **Grab bar**
-  **Keypad**
-  **Mood light**

* Defaulting positions on above ACCESSORIES AND OPTIONS are approximative locations.

Océania Baths inc.
 8, rue Patrice Côté
 Trois-Pistoles (Québec)
 Canada, G0L 4K0

Info-Line
 1-888-851-8918
 1-877-332-4224

Fax
 1-877-880-8918
 1-866-460-4334

Home Office:
Océania Baths inc.
 591, avenue des Entreprises
 Thetford Mines (Québec)
 Canada, G6H 4B2