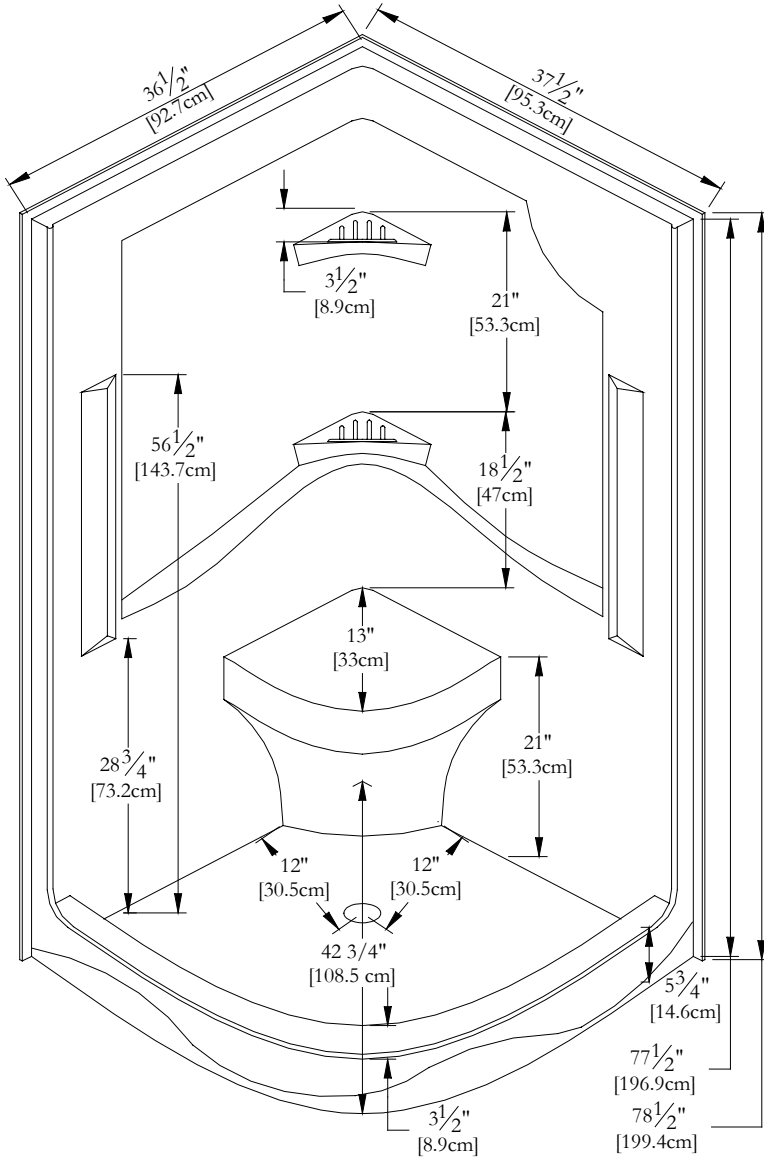


TECHNICAL SPECIFICATIONS

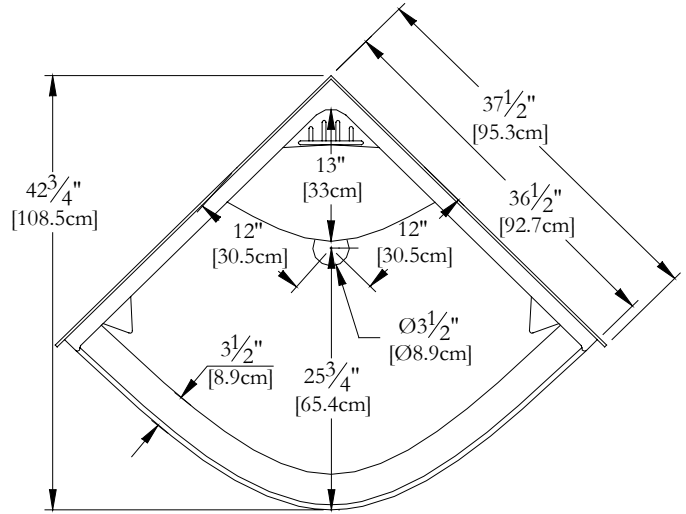
Shower Name : **Atlantide 36 [1 piece]**
 Collection : Shower Collection
 Dimensions : **36 X 36 X 78**

Trois-Pistoles

FRONT VIEW

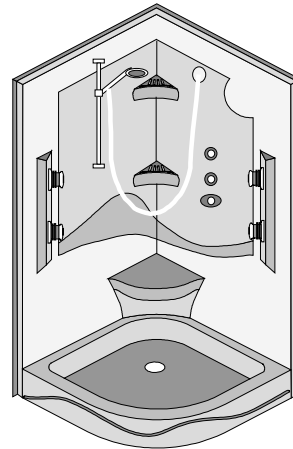


TOP VIEW



* All measurements are precise to $\pm 1/4"$ [0.63 cm]. Technical specifications are subject to change without prior notice.

HYDRO SHOWER SYSTEM



* Optional Hydro-Massage systems are factory pre-plumbed as illustrated.

* Please specify **RIGHT** or **LEFT** on order for valve installation. Right hand shown.