



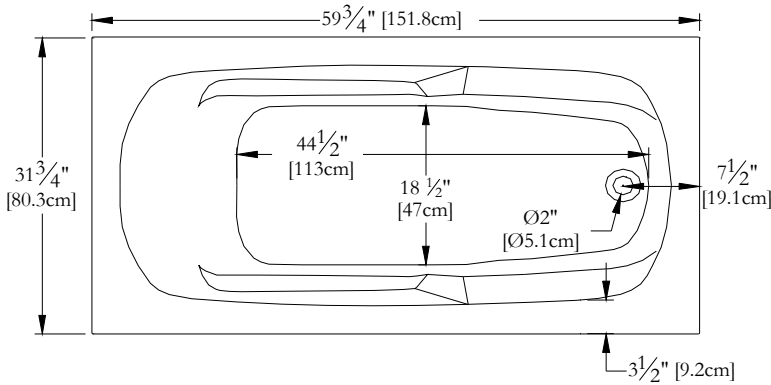
# TECHNICAL SPECIFICATIONS

Bath name : **EM32CA01**  
 Collection : **Entrée Collection**  
 Dimensions : **60 X 32 X 18 1/2**  
 Gallon capacity : **35**

Trois-Pistoles

**KEYPAD UNINSTALLED WHEN ORDERED WITH A TILE FLANGE**

**TOP VIEW**



\* In compliance with CSA standards, all interior bath measurements taken 4" [10 cm] from the floor.

\*300 watts heating element

\* In compliance with CSA standards, all interior bath measurements taken 4" [10 cm] from the floor.

\*Base delivered with EasyInstall base - without adjustable feet

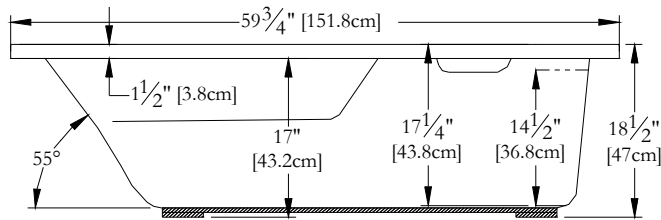
\*No water detectors

\*Five year warranty, 1 year Parts & Labor

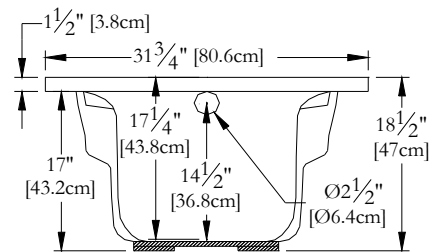
\*Only available in white

\*Variable speed air blower

**LENGTH**

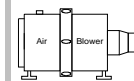
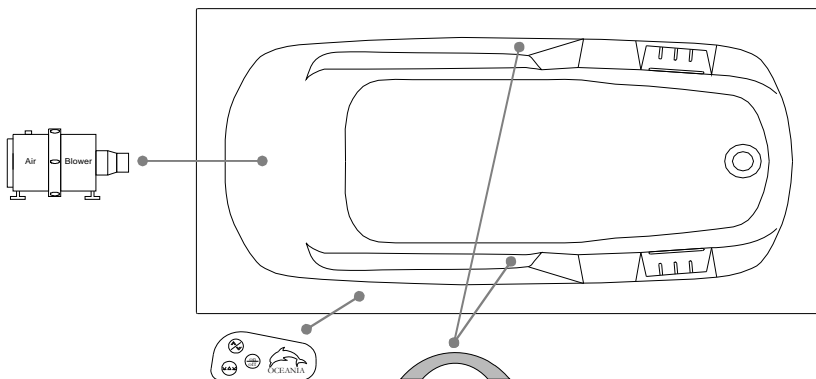


**WIDTH**



**IT WILL BE NECESSARY TO LIFT THE TUB TO INSTALL A SKIRT**

## Defaulting positions



**Blower**



**Grab bar**



**Keypad**

\* Defaulting positions on above ACCESSORIES AND OPTIONS are approximative locations.

**Océania Baths inc.**  
 8, rue Patrice Côté  
 Trois-Pistoles (Québec)  
 Canada, G0L 4K0

**Info-Line**  
 1-888-851-8918  
 1-877-332-4224

**Fax**  
 1-877-880-8918  
 1-866-460-4334

*Home Office:*  
**Océania Baths inc.**  
 591, avenue des Entreprises  
 Thetford Mines (Québec)  
 Canada, G6H 4B2

[www.oceaniabaths.com](http://www.oceaniabaths.com)