

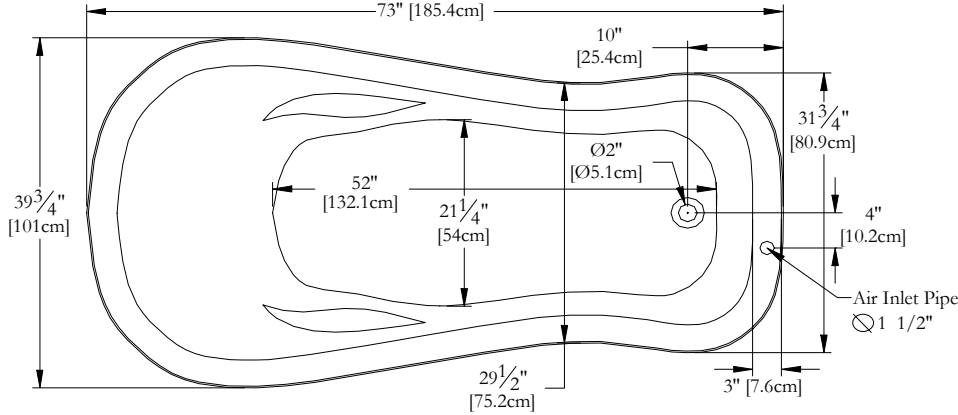


TECHNICAL SPECIFICATIONS

Bath name : *Juliette 73*
 Collection : Elegance Collection
 Dimensions : 73 x 39 x 37 1/2
 Gallon capacity : 64

Thetford Mines

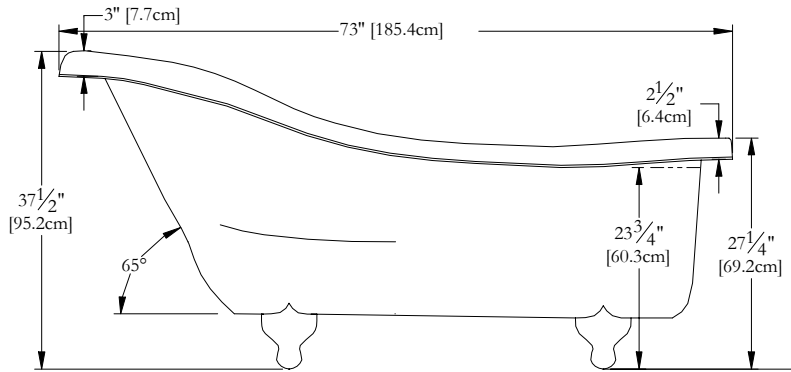
TOP VIEW



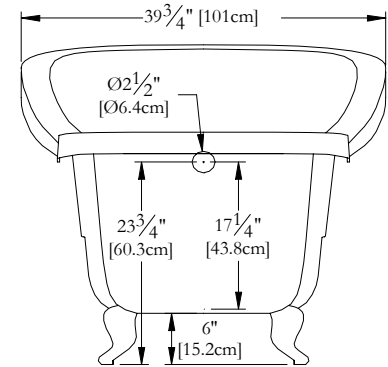
* In compliance with CSA standards, all interior bath measurements taken 4" [10 cm] from the floor.

* All measurements are precise to ±1/4" [0.63 cm]. Technical specifications are subject to change without prior notice.

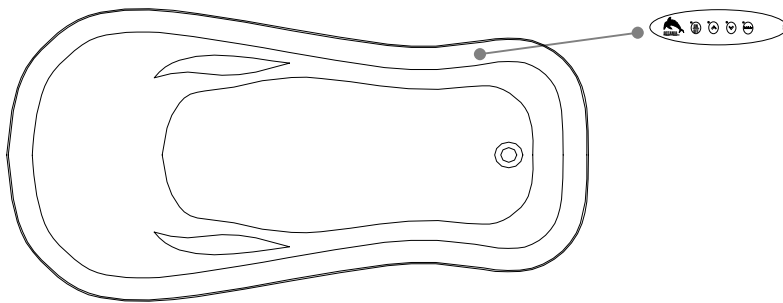
LENGTH



WIDTH



Defaulting positions

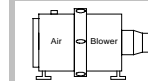


Mood light not available for this model

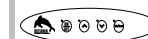
Pump not available for this model

* The blower must be relocated.

Space minimum required: 19" x 9" x 9"
 For an adequate blower efficiency, install the blower in a ventilated place.



*Blower



Keypad

THE BLOWER MUST BE RELOCATED

FAUCETS MUST BE FLOOR OR WALL MOUNTED ON THE AEROMASSAGE OR SUPER AEROMASSAGE SYSTEMS.

* Defaulting positions on above ACCESSORIES AND OPTIONS are approximative locations.

Océania Baths inc.
 8, rue Patrice Côté
 Trois-Pistoles (Québec)
 Canada, G0L 4K0

Info-Line
 1-888-851-8918
 1-877-332-4224

Fax
 1-877-880-8918
 1-866-460-4334

Home Office:
Océania Baths inc.
 591, avenue des Entreprises
 Thetford Mines (Québec)
 Canada, G6H 4B2