



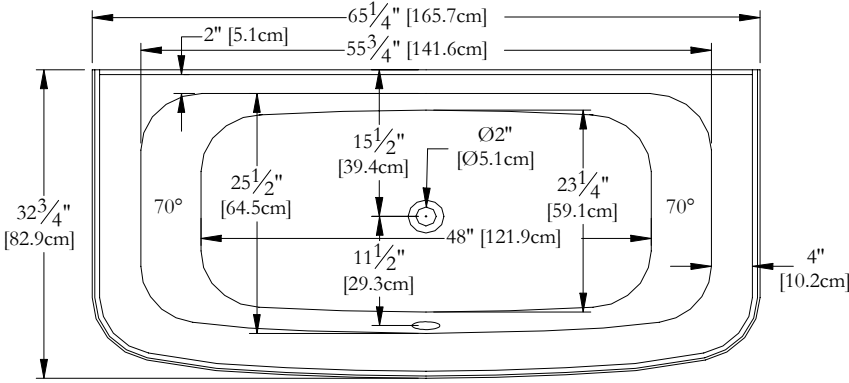
Thetford Mines

TECHNICAL SPECIFICATIONS

Bath name : **OC66 Back tile flange (central drain)**
 Collection : **Oceania Classique Collection**
 Dimensions : **65 X 33 X 20**
 Gallon capacity : **40**

THE 3 SIDED SKIRT AND THE BACK TILE FLANGE ARE INTEGRATED TO THE OCEANIA CLASSIQUE 66

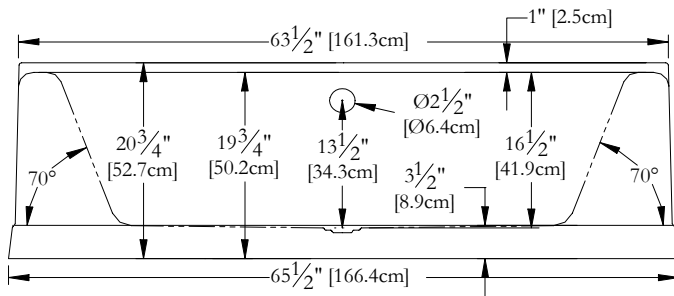
TOP VIEW



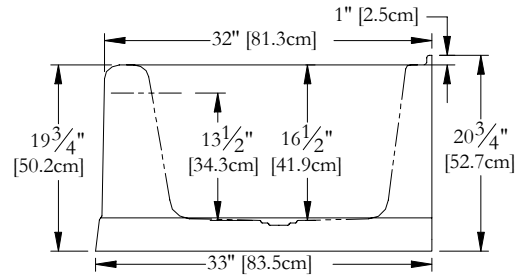
* In compliance with CSA standards, all interior bath measurements taken 4" [10 cm] from the floor.

* All measurements are precise to ±1/4" [0.63 cm]. Technical specifications are subject to change without prior notice.

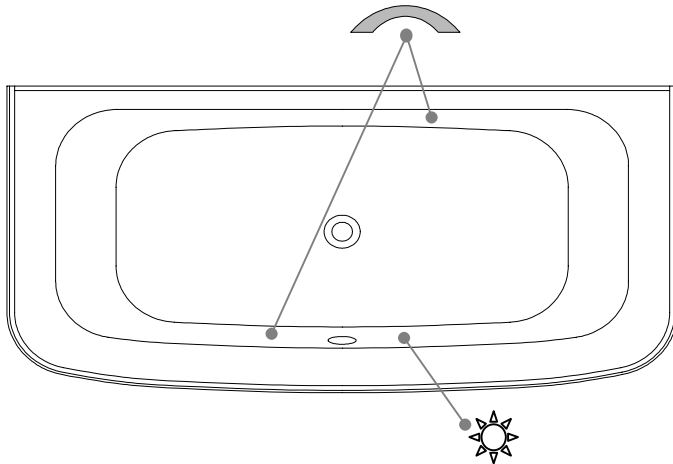
LENGTH



WIDTH



Defaulting positions

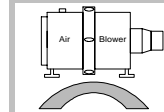


Pump not available for this model.

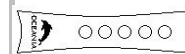
* The blower must be relocated.

Space minimum required : 19"x9"x9"

For an adequate blower efficiency, install the blower in a ventilated place.



*Blower



Grab Bar



Remote
Mood light

* Defaulting positions on above ACCESSORIES AND OPTIONS are approximative locations.

THE BLOWER MUST BE RELOCATED

Océania Baths inc.
 8, rue Patrice Côté
 Trois-Pistoles (Québec)
 Canada, G0L 4K0

Info-Line
 1-888-851-8918
 1-877-332-4224

Fax
 1-877-880-8918
 1-866-460-4334

Home Office:
Océania Baths inc.
 591, avenue des Entreprises
 Thetford Mines (Québec)
 Canada, G6H 4B2

www.oceaniabaths.com