



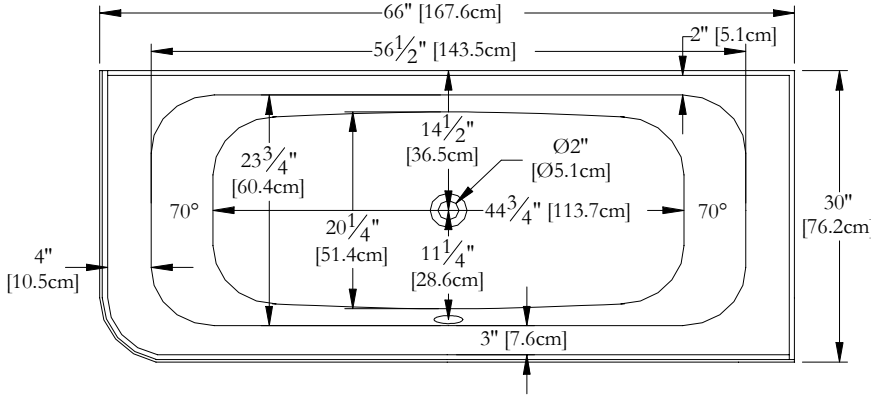
Thetford Mines

TECHNICAL SPECIFICATIONS

Bath name : *Right OC66 Two sides tile flange (central drain)*
 Collection : Oceania Classique Collection
 Dimensions : 66 X 30 X 20
 Gallon capacity : 37

2 SIDED SKIRT AND TILE FLANGE ARE INTEGRATED TO THE RIGHT OCEANIA CLASSIQUE 66

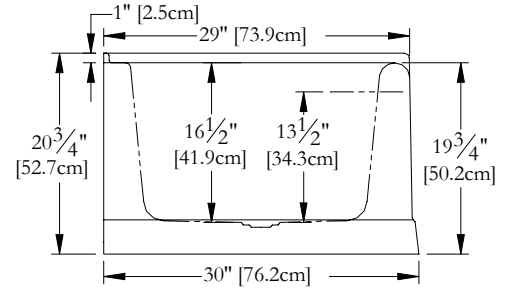
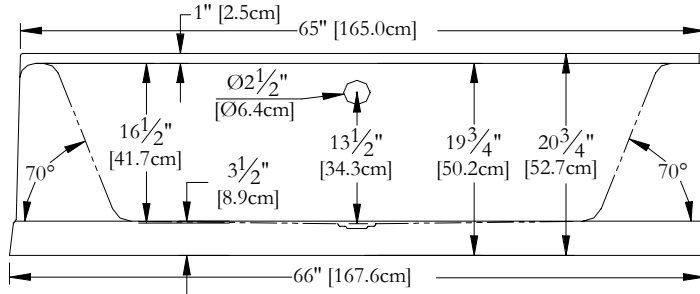
TOP VIEW



* In compliance with CSA standards, all interior bath measurements taken 4" [10 cm] from the floor.

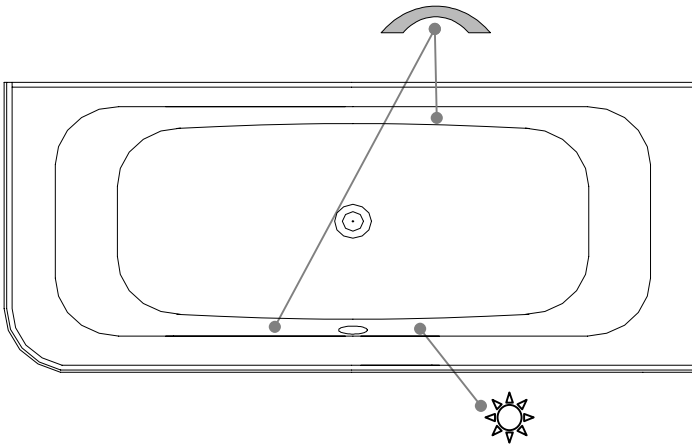
* All measurements are precise to ±1/4" [0.63 cm]. Technical specifications are subject to change without prior notice.

LENGTH



WIDTH

Defaulting positions

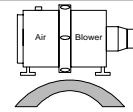


Pump not available for this model.

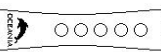
* The blower must be relocated.

Space minimum required : 19"x9"x9"

For an adequate blower efficiency, install the blower in a ventilated place.



*Blower



Grab Bar



Remote



Mood light

* Defaulting positions on above ACCESSORIES AND OPTIONS are approximative locations.

THE BLOWER MUST BE RELOCATED

Océania Baths inc.

8, rue Patrice Côté
Trois-Pistoles (Québec)
Canada, G0L 4K0

Info-Line

1-888-851-8918
1-877-332-4224

Fax

1-877-880-8918
1-866-460-4334

Home Office:

Océania Baths inc.

591, avenue des Entreprises
Thetford Mines (Québec)
Canada, G6H 4B2

www.oceaniabaths.com