



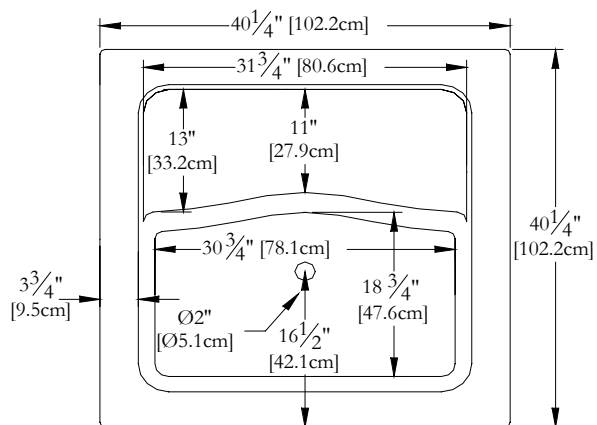
Trois-Pistoles

# TECHNICAL SPECIFICATIONS

Bath name : *Geisha*  
 Collection : Harmony Collection  
 Dimensions : 40 X 40 X 37  
 Gallon capacity : 92

**TWO PIECES BATHTUB WITH NON STANDARD DRAIN  
 EXTRA PLANNING IS NECESSARY FOR THE DRAIN INSTALLATION**

TOP VIEW

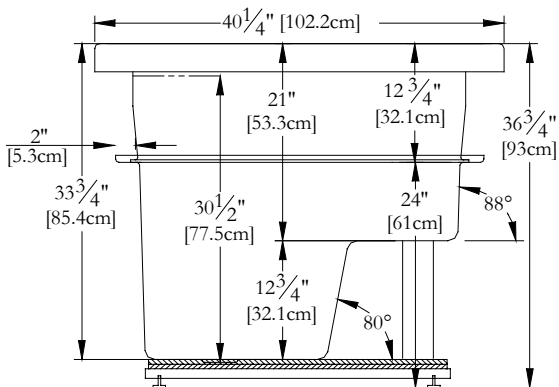


\* In compliance with CSA standards, all interior bath measurements taken 4" [10 cm] from the floor.

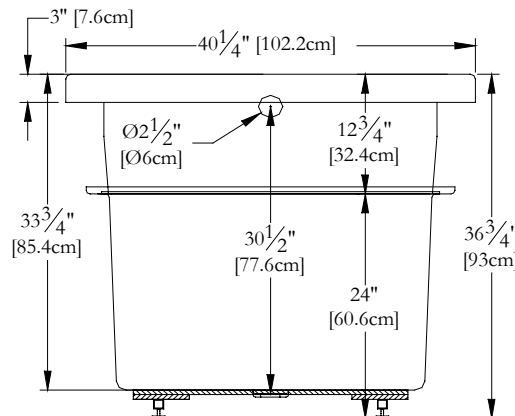
\* Total height for soaker is equal to total height of this line drawing less ± 1" [2.5 cm].

\* All measurements are precise to ± 1/4" [0.63 cm].  
 Technical specifications are subject to change without prior notice.

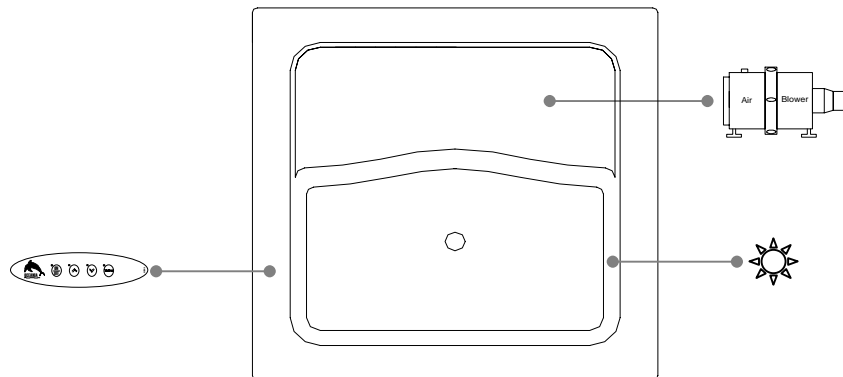
LENGTH



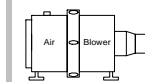
WIDTH



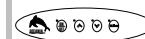
## Defaulting positions



\* Pump not available for this model



**Blower**



**Keypad**



**Mood light**

\* Defaulting positions on above ACCESSORIES AND OPTIONS are approximative locations.

**Océania Baths inc.**  
 8, rue Patrice Côté  
 Trois-Pistoles (Québec)  
 Canada, G0L 4K0

**Info-Line**  
 1-888-851-8918  
 1-877-332-4224

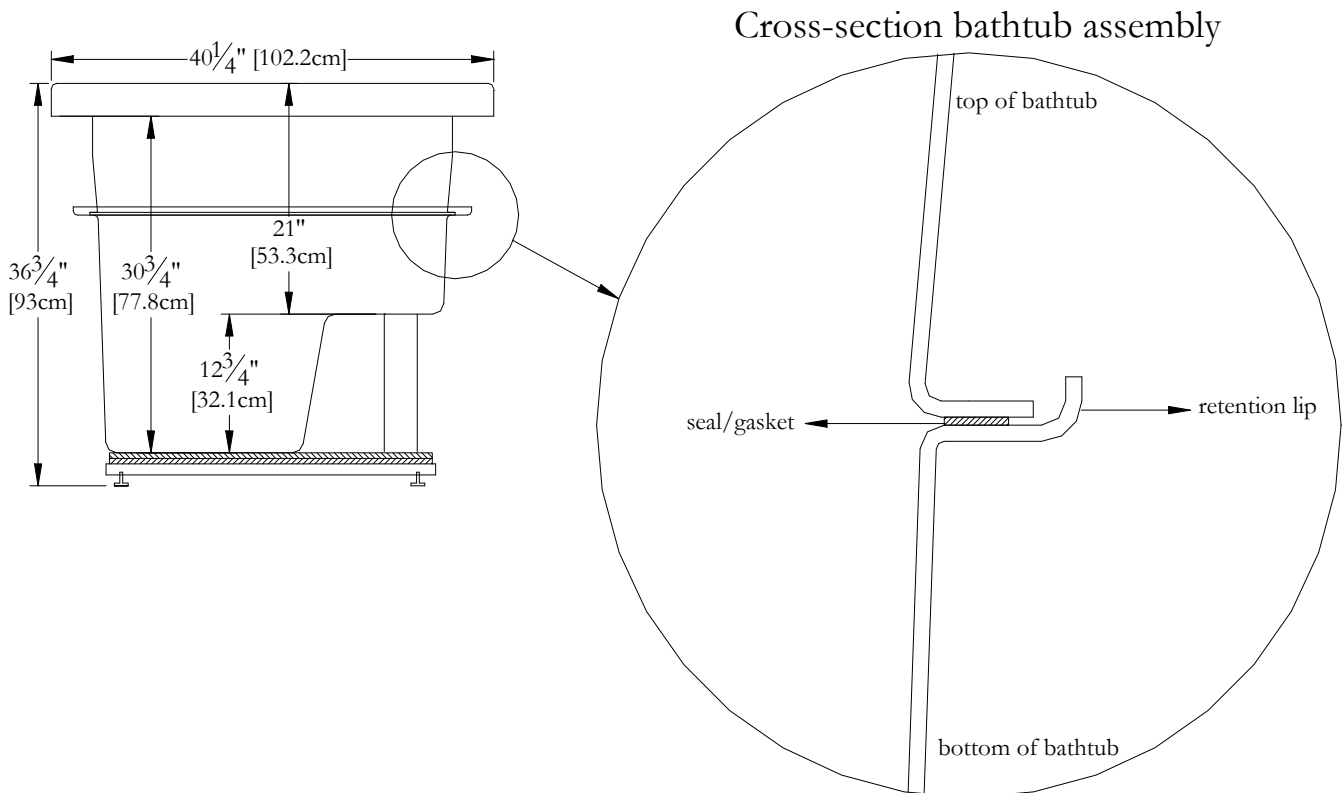
**Fax**  
 1-877-880-8918  
 1-866-460-4334

*Home Office:*  
**Océania Baths inc.**  
 591, avenue des Entreprises  
 Thetford Mines (Québec)  
 Canada, G6H 4B2

[www.oceaniabaths.com](http://www.oceaniabaths.com)

# Assembly Instructions for Geisha bathtub

1. Make sure that the seal roll is at constant room temperature for at least 24 hours (70 F minimum).
2. Remove the metallic fastenings all around the bathtub, make sure to remember which way the top part of the bathtub sits on the bottom part of it, and then split the two parts of the bathtub.
3. Clean the application surface with a non-greasy product, like rubbing alcohol.



4. Install the seal at 1/2'' from the inside of the bathtub on the flat part of the retention lip (see figure above). Do not use any other bonding material.
5. Replace the top part of the bathtub on the bottom part; make sure to align perfectly both parts together.
6. Reinstall the metallic fastenings all around the bathtub, at same location they were before you removed them at step 2.
7. Tighten the fastening progressively in a criss-cross pattern, a torque of 30 pounds per foot is enough, ***do not use excessive strength when tightening.***

***It is the responsibility of the installer to ensure full watertightness of the seal and assembly of the bathtub. A water leaking test of 3 hours is strongly recommended before finalizing the installation.***