

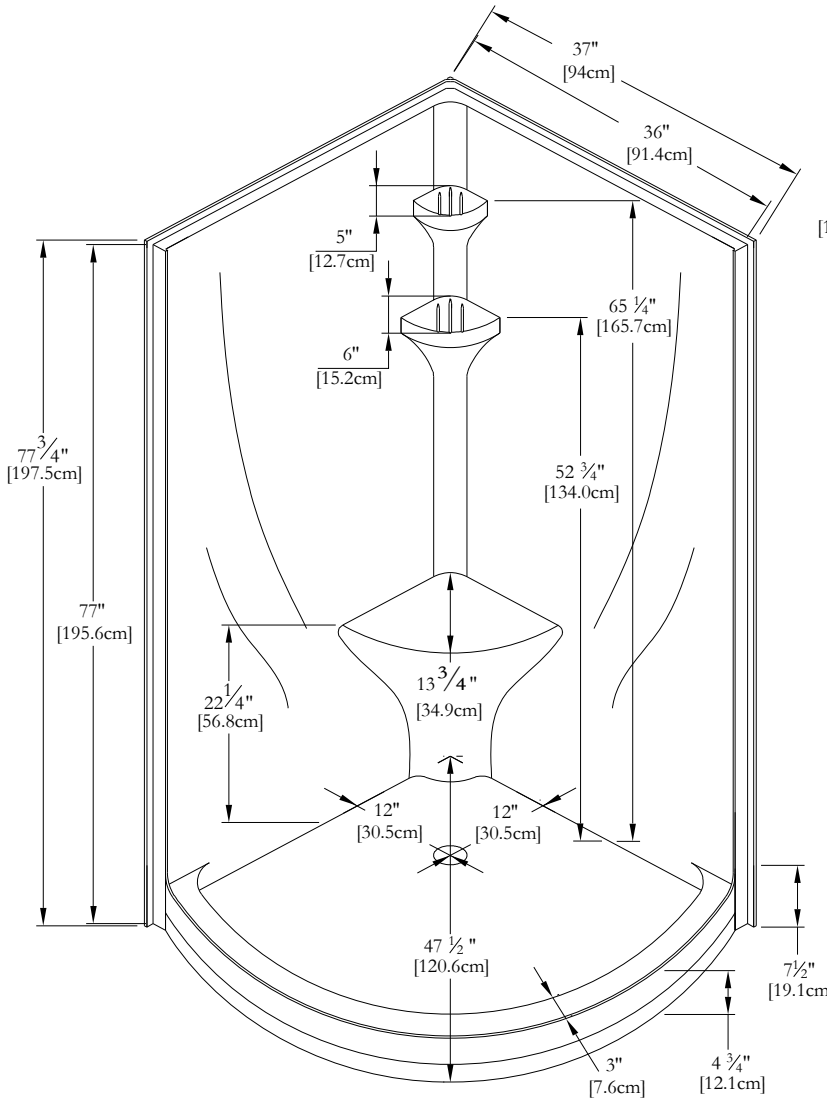


TECHNICAL SPECIFICATIONS

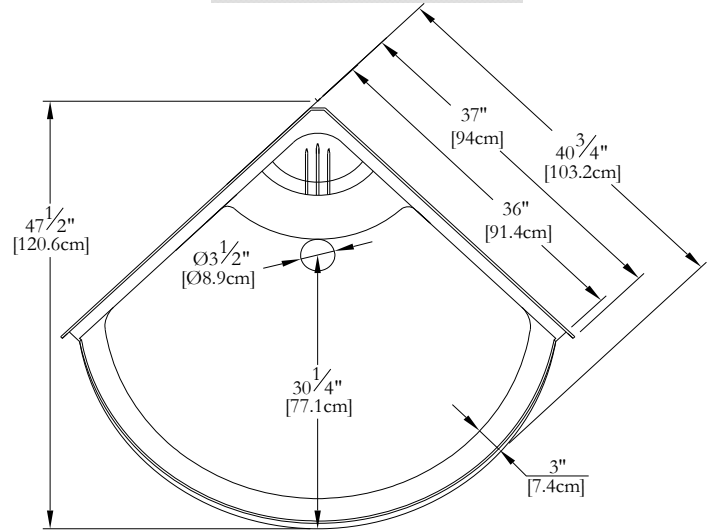
Shower Name : **Poséidon 36 [1 piece]**
 Collection : **Shower Collection**
 Dimensions : **36 X 36 X 77**

Trois-Pistoles

FRONT VIEW

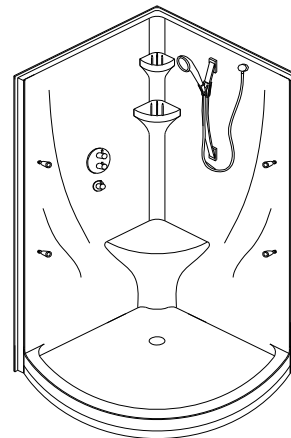


TOP VIEW



* All measurements are precise to $\pm 1/4''$ [0.63 cm]. Technical specifications are subject to change without prior notice.

HYDRO SHOWER SYSTEM



* Optional Hydro-Massage systems are factory pre-plumbed as illustrated.

* Please specify **RIGHT** or **LEFT** on order for valve installation. Right hand shown.

Océania Baths inc.
 8, rue Patrice Côté
 Trois-Pistoles (Québec)
 Canada, G0L 4K0

Info-Line
 1-888-851-8918
 1-877-332-4224

Fax
 1-877-880-8918
 1-866-460-4334

JUNE 2010 / REV 03

www.oceaniabaths.com

Home Office :
Océania Baths inc.
 591, avenue des Entreprises
 Thetford Mines (Québec)
 Canada, G6H 4B2