



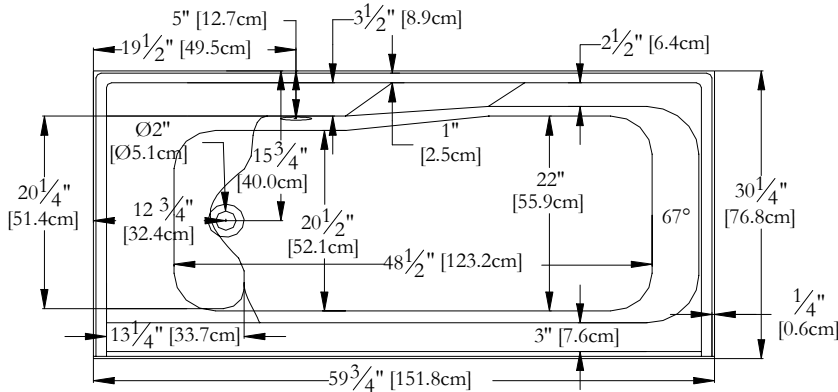
# TECHNICAL SPECIFICATIONS

Bath name : *Left Alégria*  
 Collection : Estime Collection  
 Dimensions : 60 X 30 X 13  
 Gallon capacity : 25

Trois Pistoles

**SKIRT, SEAT AND TILE FLANGE ARE INTEGRATED FOR THIS MODEL  
 KEYPAD UNINSTALLED ON THIS MODEL UNLESS OTHERWISE SPECIFIED**

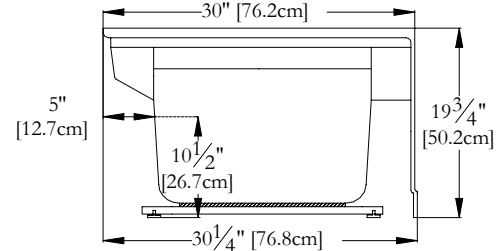
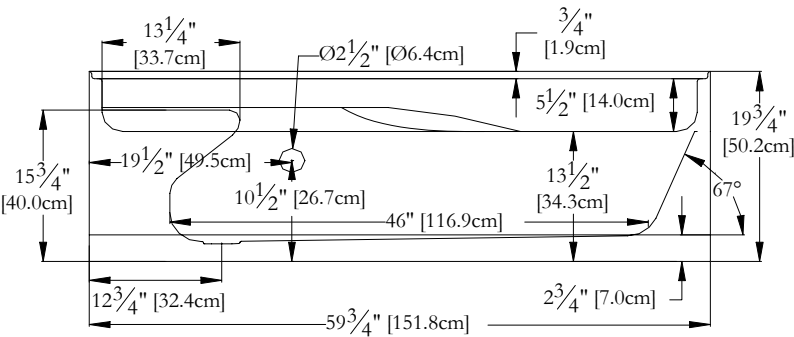
TOP VIEW



\* In compliance with CSA standards, all interior bath measurements taken 4" [10 cm] from the floor.

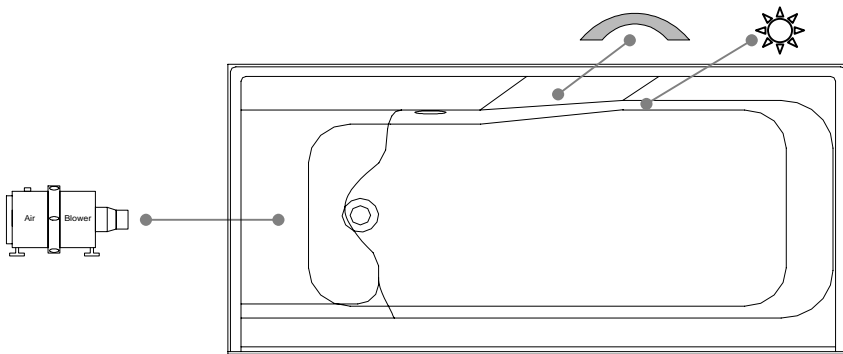
\* All measurements are precise to ±1/4" [0.63 cm]. Technical specifications are subject to change without prior notice.

LENGTH

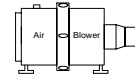


WIDTH

## Defaulting positions



\* Pump not available for this model



**Blower**



**Grab bar**



**Keypad**



**Mood light**

\* Defaulting positions on above ACCESSORIES AND OPTIONS are approximative locations.

**Océania Baths inc.**  
 8, rue Patrice Côté  
 Trois-Pistoles (Québec)  
 Canada, G0L 4K0

**Info-Line**  
 1-888-851-8918  
 1-877-332-4224

**Fax**  
 1-877-880-8918  
 1-866-460-4334

*Home Office:*  
**Océania Baths inc.**  
 591, avenue des Entreprises  
 Thetford Mines (Québec)  
 Canada, G6H 4B2

[www.oceaniabaths.com](http://www.oceaniabaths.com)