



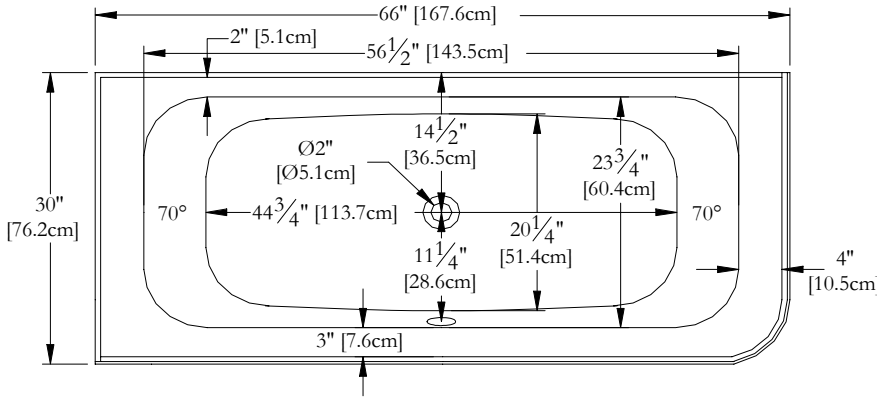
Thetford Mines

# TECHNICAL SPECIFICATIONS

Bath name : *Left OC66 Two sides tile flange(central drain)*  
 Collection : Oceania Classique Collection  
 Dimensions : 66 X 30 X 20  
 Gallon capacity : 37

**2 SIDED SKIRT AND TILE FLANGE ARE INTEGRATED TO THE LEFT OCEANIA CLASSIQUE 66**

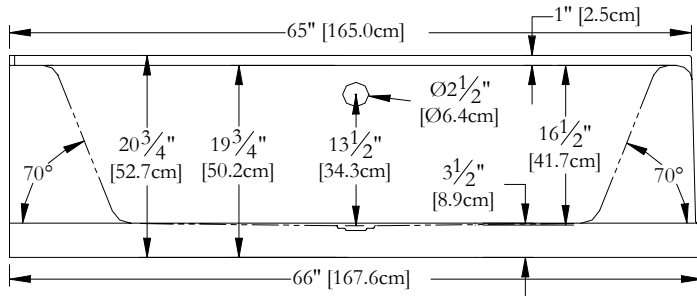
TOP VIEW



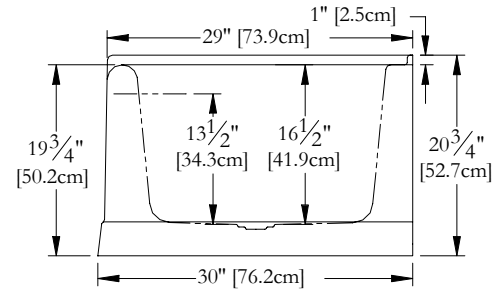
\* In compliance with CSA standards, all interior bath measurements taken 4" [10 cm] from the floor.

\* All measurements are precise to ±1/4" [0.63 cm].  
 Technical specifications are subject to change without prior notice.

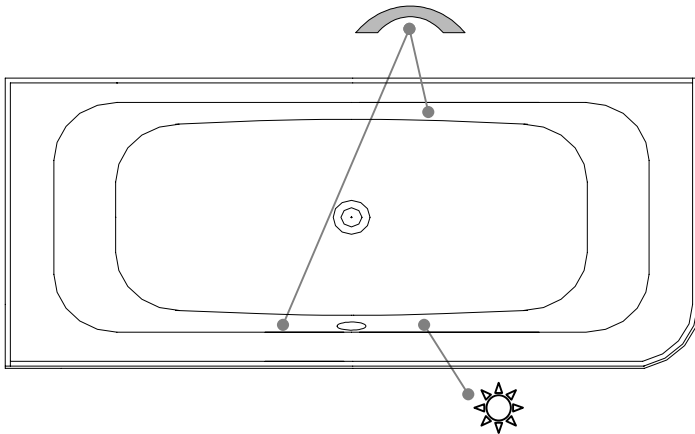
LENGTH

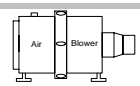

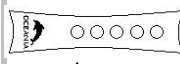



WIDTH



## Defaulting positions



- Pump not available for this model.
- \* The blower must be relocated.
- Space minimum required : 19"x9"x9"
- For an adequate blower efficiency, install the blower in a ventilated place.
-  **\*Blower**
-  **Grab Bar**
-  **Remote**
-  **Mood light**

\* Defaulting positions on above ACCESSORIES AND OPTIONS are approximative locations.

**THE BLOWER MUST BE RELOCATED**

**Océania Baths inc.**  
 8, rue Patrice Côté  
 Trois-Pistoles (Québec)  
 Canada, G0L 4K0

**Info-Line**  
 1-888-851-8918  
 1-877-332-4224

**Fax**  
 1-877-880-8918  
 1-866-460-4334

Home Office:  
**Océania Baths inc.**  
 591, avenue des Entreprises  
 Thetford Mines (Québec)  
 Canada, G6H 4B2

[www.oceaniabaths.com](http://www.oceaniabaths.com)