

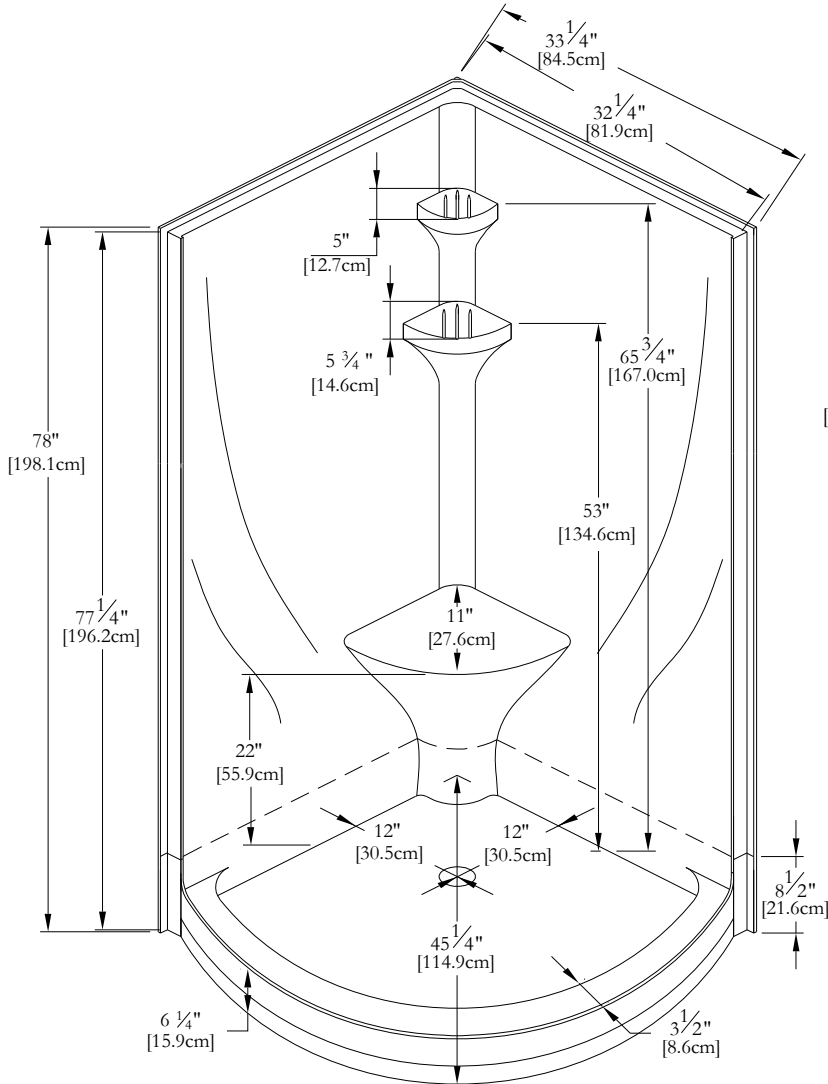


# TECHNICAL SPECIFICATIONS

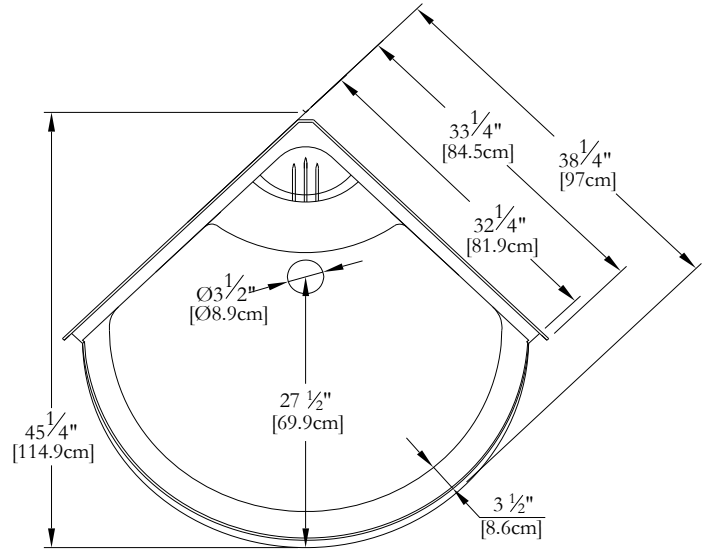
Shower Name : **Poséidon 32 [2 pieces]**  
 Collection : Shower Collection  
 Dimensions : 32 X 32 X 77

Trois-Pistoles

## FRONT VIEW

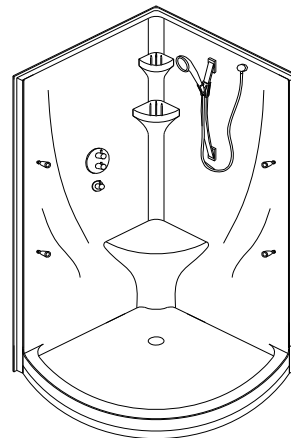


## TOP VIEW



\* All measurements are precise to  $\pm 1/4$ " [0.63 cm]. Technical specifications are subject to change without prior notice.

## HYDRO SHOWER SYSTEM



\* Optional Hydro-Massage systems are factory pre-plumbed as illustrated.

\* Please specify **RIGHT** or **LEFT** on order for valve installation. Right hand shown.

**Océania Baths inc.**  
 8, rue Patrice Côté  
 Trois-Pistoles (Québec)  
 Canada, G0L 4K0

**Info-Line**  
 1-888-851-8918  
 1-877-332-4224

**Fax**  
 1-877-880-8918  
 1-866-460-4334

JUNE 2010 / REV 03

[www.oceaniabaths.com](http://www.oceaniabaths.com)

Home Office :  
**Océania Baths inc.**  
 591, avenue des Entreprises  
 Thetford Mines (Québec)  
 Canada, G6H 4B2