

WARNING

This Instruction & Warranty booklet shall be removed only by the final user prior to using this unit.



Instructions & Warranty

Entrée Collection

Serial Number :

Model Name :

Date of Manufacture :

Important: Keep this booklet for warranty purposes

WARRANTY

LIMITED WARRANTY

5 Five 5 year warranty on the structure and the surface

Oceania Baths guarantees all acrylic baths (Lucite Cast Acrylics) against any failure from improper workmanship or loss of color for a period of five (5) years, from the date of purchase.

5 Five 5 year limited warranty on the therapeutic air systems.

Oceania Baths guarantees the therapeutic air systems from the date of purchase in this way :

- 0 to 1 year : Parts and labor*.
- 1 to 5 years : the plumbing, parts only
- 1 to 5 years : Blower, parts only

5 Five 5 year limited warranty on the electronic controls.

Oceania Baths guarantees the electronic controls from the date of purchase in this way :

- 0 to 1 year : Parts and labor*.
- 1 to 5 years : Electronic controls, parts only.

*Oceania Baths will decide either to repair or replace any bath or part that fails as a result of manufacturing defect one (1) year from the date of purchase.

WARRANTY LIMITATIONS

- Original owner's of the bathtub.
- Registered bathtub (by Internet or warranty card).
- For residential use only.
- Canada-USA (120 Volts)
- Installation made by a qualified technician.
- Warranty void if the product has not been installed correctly, or not according to the building codes or state regulations.
- Warranty void if some modifications have been made to the product or bathtub.
- Oceania baths have the choice to repair or replace the product. In case of a replacement, the product can be replaced by a product of the same or greater value (on a 20 years period, the product can change).
- Warranty applies only on parts supplied by Oceania Baths.
- Oceania Baths cannot be held responsible of any costs or any loss of enjoyment except the defective component cost itself.
- An adequate access to the system components must be supplied; additional costs to make an access are not covered by the warranty.
- Oceania Baths have the choice to inspect installation or trouble before reparation.
- Bathtub must have been sold by an Oceania Baths authorized retailer/salesman.

WARRANTY RANGE

This warranty concerns exclusively the original buyer-user of the bathtub when the bath was purchased in Canada or in the United States of America. The product is covered by this warranty for the designated time as long as it is installed in its original location and owned by its original owner. The replacement parts, if needed, are shipped to the retailer and the shipping costs are at the charge of the customer.

WARRANTY

GUARANTEED EFFICIENCY

In case of mechanical failure, which would be covered by the present warranty, Oceania Baths will repair the bathtub presenting the failure. For a service call, please contact an authorized retailer/salesman.

INTERVENTIONS THAT WILL VOID THE WARRANTY

This warranty will be voided if your bathtub has been incorrectly installed or not in compliance with the local building codes and ordinances, has no access panel to make repairs, has been modified, has been damaged by abusive use, negligence, poor maintenance (refer to the Maintenance section of this manual), thermal shocks (flame, cigarette, boiling water, etc), damages caused during delivery (shocks, transport, handling, etc), misuse, chemical or natural corrosion (stains caused by ferrous or hard water), or improper electrical installation, any addition of a water purification or stabilization unit, or heating system not approved and which could contribute to the failure of one or another component, of this unit or to its possibility of unsafe use.

This warranty does not cover metal plating on jet heads or handles if these elements have been damaged by the use of chemical or abrasive cleaners, nor deteriorated parts due to mineral or any other matter deposits. Please refer to the Maintenance section of this manual to avoid these problems.

RENUNCIATIONS

Oceania Baths cannot be held responsible of any loss of enjoyment (use) of the bath nor of any costs, expenses or damages and interests, which may be direct or indirect, and may include, but not be limited to, any materials displaced or uninstalled or any other custom made installation. Any implicit warranty must not exceed the limited time warranty stated in the present guide.

In no case, Oceania Baths nor any of its sales representatives (retailer/salesman) can be held responsible of any injuries to any person nor damages caused to any properties, without consideration on how it might happen. Considering that the exclusion and/or limitation of direct or indirect damages and interests are not authorized in certain provinces or American states, the following restrictions may not apply.

LEGAL RESORTS

The present warranty provides you of certain legal rights; you may also dispose of other rights, which may vary from one province to another and from one state to another.

CUSTOMER SERVICE

For any service request, contact your Oceania Baths authorized service representative (retailer/salesman). If you do not know who your local service representative is, contact the Oceania Baths Customer Service at the following numbers:

1-877-332-4224

1-888-851-8918

TABLE OF CONTENTS

WARRANTY	2
INTRODUCTION	5
SAFETY PRECAUTIONS	6
INSTALLATION INSTRUCTIONS	8
Installation	8
Electrical Installation	10
Electric Wiring Diagrams	10
OPERATING INSTRUCTIONS.....	11
General How to Use the Therapeutic Air System	11
How the Drying Cycle System Works	11
USER MAINTENANCE INSTRUCTIONS.....	12
Maintenance Instructions	12
TROUBLESHOOTING	13
Troubleshooting your Therapeutic Air System	13

INTRODUCTION

Welcome to a Wonderful World of Relaxation...

Oceania Baths, Therapeutic Air Systems

Here at Oceania Baths we are proud of our baths design and their manufacturing. You have acquired a bath of the up-most quality.

Your bath, just like each and every Oceania Baths product, went through a complete testing program before it is delivered to your retailer. First, the blower and the electronic components are tested to be in perfect working order, then a 12 hour water test is done to verify the waterproofing of all joints. Oceania Baths quality control program is very strict and we consider it essential, ensuring your entire satisfaction. You can relax peacefully!

Being an advised owner, you will understand that the proper workings of the systems included in your bath depend greatly on proper installation and use. We have prepared this manual with great care to guide you. Take time to carefully read the instructions and security warnings described in this manual and do not hesitate to contact your dealer if you feel it is necessary.

Oceania Baths welcomes you to the world of relaxation, comfort and better living!

Sit Down and Relax!

You can use your favorite bubble baths, bath salts and oils, just like an ordinary bathtub, but in smaller amounts, without risking any damage to the blower or the pipe systems.

Sit back and enjoy the luxury of your massage!

SAFETY PRECAUTIONS

IMPORTANT SAFETY INSTRUCTIONS: CAREFULLY READ AND FOLLOW ALL INSTRUCTIONS PRIOR TO INSTALLING THE UNIT.

INSTRUCTIONS PERTAINING TO A RISK OF FIRE, ELECTRIC SHOCK, OR INJURY TO PERSONS:

WARNING: When using this unit, basic precautions should always be followed, including the following:

1. READ AND FOLLOW ALL INSTRUCTIONS.
2. **DANGER:** To reduce the risk of injury or drowning, do not permit children to use this unit unless they are closely supervised at all times.
3. Use this unit only for its intended use as described in this manual. Do not use attachments not recommended by the manufacturer.
4. Never drop or insert any object into any opening.
5. The unit must be connected only to a supply circuit that is protected by a ground-fault circuit-interrupter (GFCI). Such a GFCI should be provided by the installer and should be tested on a routine basis. To test the GFCI, push the test button. The GFCI should interrupt power. Push the reset button. Power should be restored. If the GFCI fails to operate in this manner, there is a ground current flowing, indicating the possibility of an electric shock. Do not use this unit. Disconnect the unit and have the problem corrected by a qualified service representative before using.
6. (For permanently connected units) A green colored terminal (or a wire connector marked "G", "GR", "Ground", or "Grounding") is provided within the terminal compartment. To reduce the risk of electric shock, connect this terminal or connector to the grounding terminal of your electric service or supply panel with a conductor equivalent in size to the circuit conductors supplying this equipment.
7. **WARNING:** Risk of accidental injury or drowning; Children should not use therapeutic bathtub without adult supervision.
8. **WARNING:** To avoid injury, exercise care when entering and exiting your bathtub.
9. **WARNING:** Risk of accidental injury, or drowning; do not use alcohol, drugs or medication before or during the use of the bathtub.
10. **WARNING:** Risk of electric shock; do not permit electric appliances such as hair dryer, lamp, telephone, radio or television within 1.5 meter (5 feet) of this bathtub.
11. **CAUTION:** Test the ground fault circuit interrupter protecting this bathtub periodically in accordance with the manufacturer's instructions.
12. **WARNING:** Risk of hyperthermia and possible drowning; Water temperature in excess of 38°C may be injurious to your health. Check and adjust water temperature before use.

SAFETY PRECAUTIONS

13. The use of a therapeutic air system for the first time may cause an uncomfortable feeling. Limit your bathing time to 5 or 10 minutes for the first few baths, afterwards, progressively prolong your bathing time.
14. If you suffer from headache, dizziness or nausea, get out of the bath and take a cool shower. The water in your bath could be too hot and you may be suffering from hyperthermia. If this problem persists, consult your doctor.
15. Building materials and wiring should be routed away from the blower body or other heat-producing components of the unit.
16. Inappropriate use of essential oils, at full strength, may cause skin irritation and could damage the bath surface.
17. **WARNING:** Some brands of *Wintergreen* essential oils have been known to damage acrylic surfaces.

SAVE THESE INSTRUCTIONS.

INSTALLATION INSTRUCTIONS

INSTALLATION

The services of a professional plumber are highly recommended for the installation of the bathtub. The services of an electrician are also recommended to hook up the therapeutic system.

1. Never use a therapeutic bathtub before final installation (including electrical wiring installation).
2. The minimum structural strength required to support the unit is 1200 lbs (tub and water).
3. Never mud the bathtub or add cement.
4. To avoid vibration problems, leave a small space of 1/16" between the podium (deck) and the bath lip, seal that space with silicone.
5. For units with tile flange, leave a small space of 1/8" between the bath lip and the tiles on the walls, seal that space with silicone.
6. The tub must be solidly supported at its base and leveled. **It should not be suspended by the bath lip.**
7. You must provide a one square foot (minimum) air vent that will let air go through, like a metal grid, to assure fresh airflow to the blower. This will avoid overheating problems. **The warranty does not cover the costs for the replacement of a blower that overheated.**
8. The free air space in the podium (deck) shall be minimum 13.31 cubic feet and is determined by multiplying the outside length (L), the width (W), and the height (H) (1 inch below the overflow) minus the maximum water capacity in cubic feet (1 inch below the overflow). Tip: 7.48 gallons US = 1 cubic ft.
9. Prepare the location of the tub, ensuring that all necessary connections (electrical and plumbing) are in place.
10. Before finishing the installation of the tub, fill it and check for leaks in the pipe system (which may be caused by transportation, manipulation and/or installation) while it is still accessible.
11. Before closing the podium (deck), make certain that the blower is working to ensure that the electrical connections are installed the right way.

12. Check that the tub drain works normally as it should.
13. The blower must be supplied with warm surrounding air and not with cold outside air. The blower should not be installed in a cool space where the temperature could drop below 68 F (20 °C).
14. Ensure that blower and electronic control are accessible for future maintenance. An access panel of at least one square foot must be included in your deck plans. **No repair under warranty will be made if no access panel is available.**

NOTE: All repairs, if needed, should be done by a factory approved repairman. No periodic maintenance is required for the blowers or keypads.

15. Never handle your bathtub by the piping. Do not rest your bath on the pipes underneath the bath. Be careful not to hit a wall, the deck or doorframe with the jets or pipes installed on the bath.
16. Before finishing the installation, be certain to clean the space under and around the bath to avoid the suction of debris by the blower inside the system.
17. The bathtub must be properly cleaned of all installation debris before filling it up with water.

NOTE: The bath must be entirely supported at its base, at all times. Place some wood shims under the base of the bath, in order to level the bath.

INSTALLATION ON DECK :

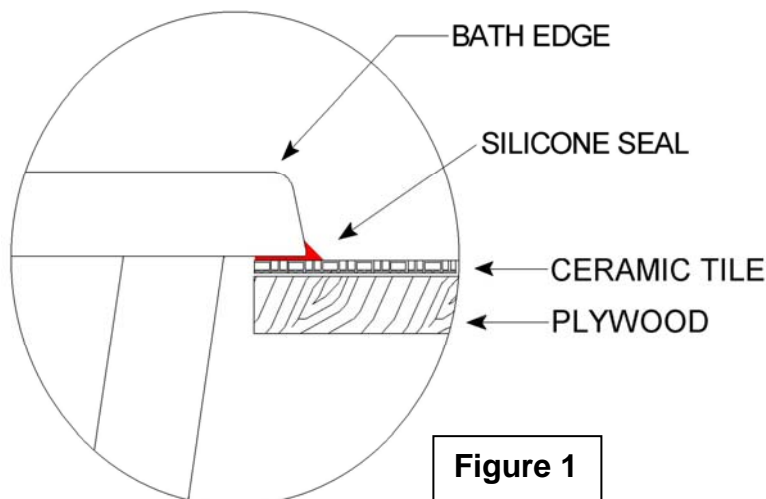


Figure 1

INSTALLATION INSTRUCTIONS

INSTALLATION WITHOUT ADJUSTABLE FEET :

LEVEL WITH WOOD SHIMS

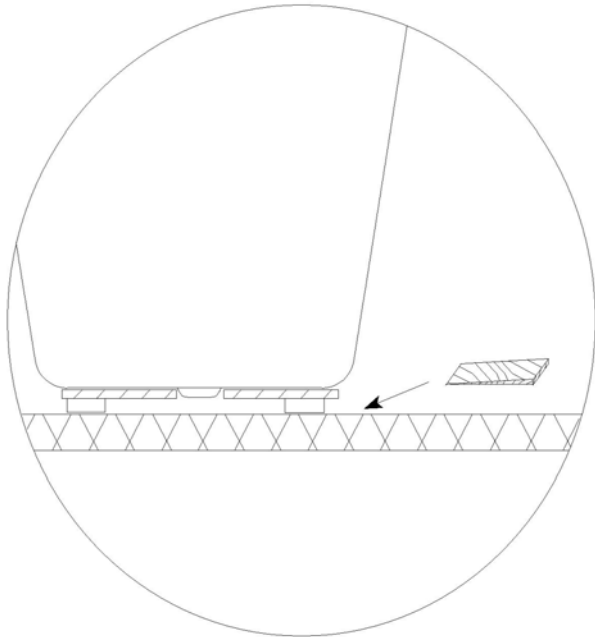


Figure 2

INSTALLATION AGAINST A WALL:

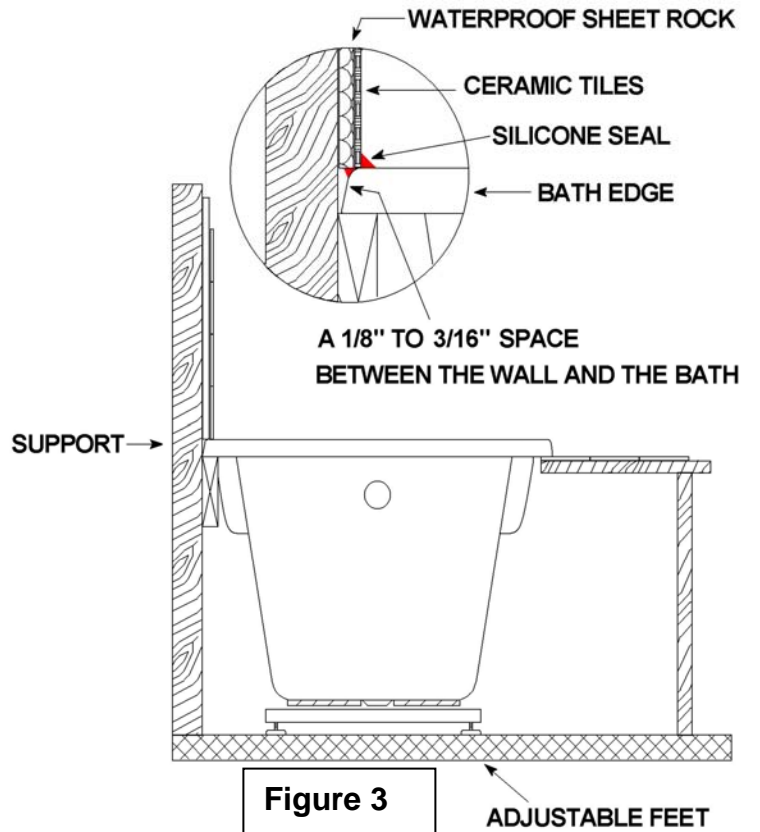


Figure 3

INSTALLATION AGAINST A WALL WITH TILE FLANGE :

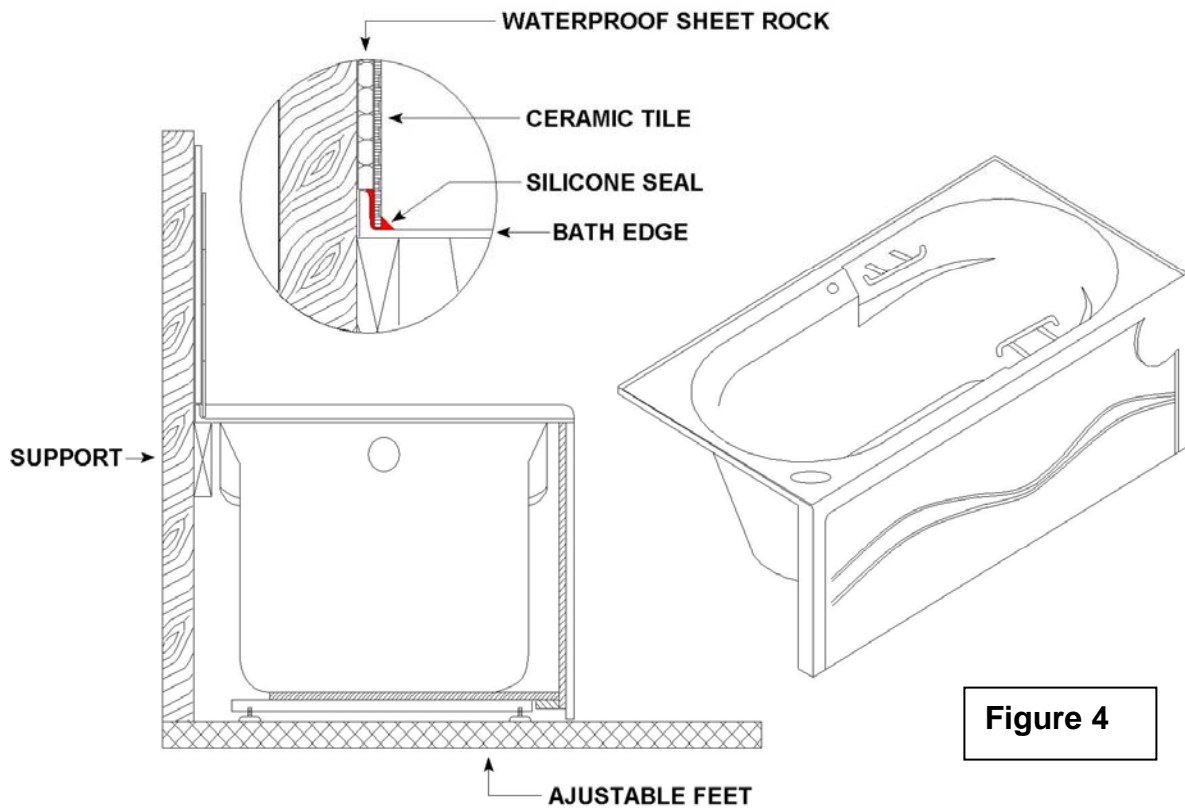


Figure 4

OPERATING INSTRUCTIONS

ELECTRICAL INSTALLATION

WARNING: When using electrical products, basic precautions should always be followed, including the following:

- a) For Indoor use only.
- b) Install in accordance to Oceania Baths installation instruction.
- c) Use supply wires suitable for minimum 90°C.
- d) Use copper conductors only.
- e) **DANGER: RISK OF ELECTRIC SHOCK.** Connect only to a circuit protected by a ground-fault circuit-interrupter (GFCI) of Class A.

NOTE: In some areas, local regulations may require that professionals carry out the electrical installation. For your own safety, respect these regulations.

ELECTRIC WIRING DIAGRAM :

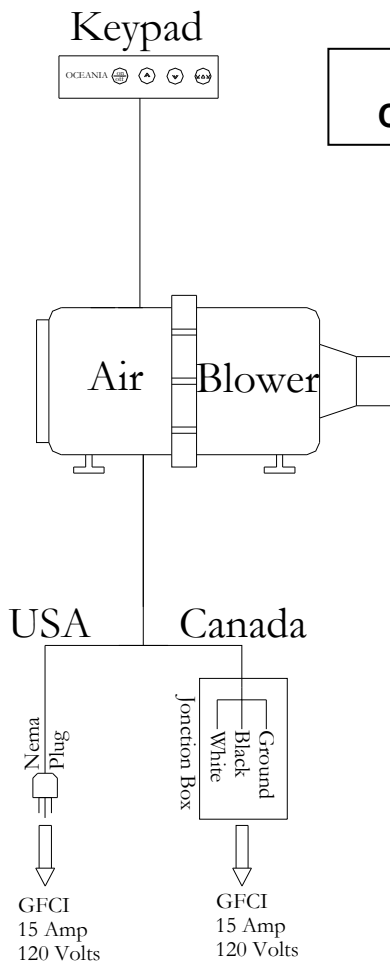


Figure 5
Confort Air Systems

- f) Connect only to a circuit protected by over current protection device rate not more than 15 Amps.
- g) Grounding is required. The unit should be installed by a qualified service representative and grounded.
- h) For all units, install to permit access for servicing.
- i) Before starting the electrical installation, turn off all power supply.
- j) The blower is designed for use with an independent 15 amp, 120V electrical power supply protected by an over current protection device rated not more than 15 Amp.
- k) The circuit should be connected permanently to the electrical panel. Never use an extension wire. The electrical installation must be permanent and in accordance with local regulations.
- l) The system of your bath must be connected to an independent power supply that is protected by a ground fault circuit interrupter (GFCI), supplied by the electrician installing your bath. Regularly check the GFCI circuit breaker to be certain that it always works properly.
- m) In order to reduce the risk of electrocution, all surrounding electrical installations must be properly grounded.
- n) An equipment grounding terminal is provided in the field wiring compartment. To reduce the risk of electric shock, this terminal must be connected to the grounding means provided in the electric supply panel with a conductor equivalent in size to the circuit conductors supplying this equipment.
- o) (For units in Canada) Install this unit in accordance with the Canadian electrical code, Part 1.
- p) No wall timer is necessary with all of our systems; every system is equipped with an integrated 20 minutes timer.

OPERATING INSTRUCTIONS

OPERATING INSTRUCTIONS

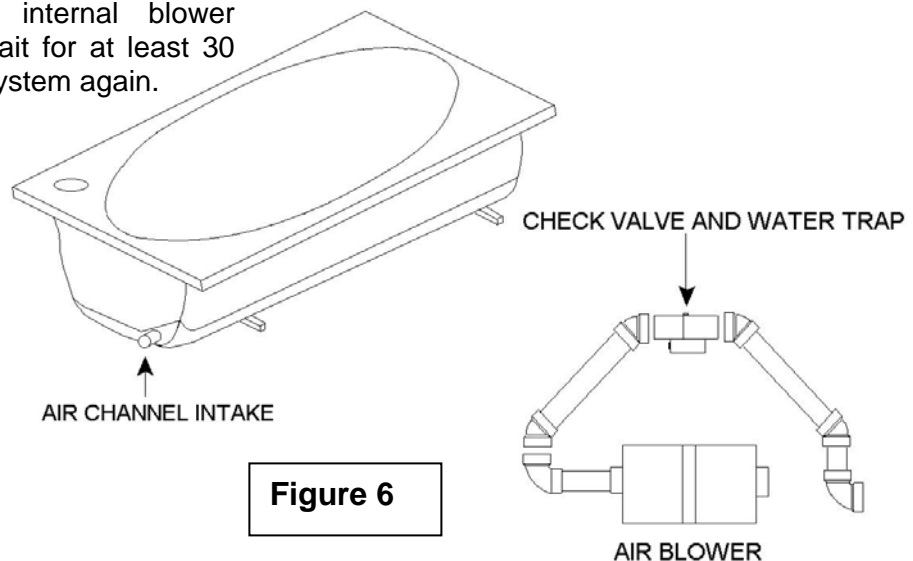
How to Use the Therapeutic Air System

1. The tub must be properly cleaned before use.
2. Your bathtub is equipped with a variable speed blower and an electronic control.
3. Fill your therapeutic air bath at least to submerge the holes on the side of your bathtub. There is no risk to damage the air blower but it will prevent water from being splashed.
4. The therapeutic air system comes with an automatic cleaning feature that completely dries all pipes and channels and guarantees optimal hygiene (see "*How the Drying Cycle Works*" section on this page for more details).
5. You must provide a one square foot (minimum) air vent that will let air go through, like a metal grid, to assure fresh airflow to the blower. This will avoid overheating problems. The warranty does not cover the costs for the replacement of a blower that overheated.
6. The blower can be relocated up to 12 feet from the bath with optional extension wire. Ask your dealer for more information on blower relocation. Please note that it is normal to hear the blower working.
7. All of our blowers are equipped with an integrated thermal protection that may turn off the blower, if the internal blower temperature is too hot. Wait for at least 30 minutes before using the system again.

How the Drying Cycle Works

Your new bathtub equipped with a therapeutic system is also equipped with a sanitizing/drying cycle that assures you the highest level of hygiene for your bathtub system components. In the following points, discover how this sanitizing/drying system works.

- a) The sanitizing/drying cycle automatically starts the blower for about two minutes during which hot air is blown through the air system, drying the entire air system. Let this automatic cycle complete this sanitizing/drying phase. Do not manually shut off this cycle, it will automatically start again 13 minutes later.
- b) The electronic control of your system is designed to start an automatic sanitizing/drying cycle 13 minutes after the blower has been turned off.



USER MAINTENANCE INSTRUCTIONS

MAINTENANCE INSTRUCTIONS

1. The acrylic of your new bathtub has a glossy finish. In order to preserve this finish, never use abrasive cleaners containing scouring powder (ex. Ajax, Vim, etc), steel wool, acetone (nail polish remover), dry cleaning fluid, window-cleaning products, and ammonia compound, paint thinner, mineral or benzene oil on the acrylic surface, the jets and the handles of your bath.
2. Clean your bath once a week using a soft sponge or cloth with liquid detergent (ex. dishwashing detergent, Hertel, Simple Green, Greased Lightning, Mr Clean, etc.) and warm water. Make certain the product is recommended for use on acrylic by the manufacturer (see product label).
3. Mineral deposits and soap films can develop on your bathtub accessories. Regular cleaning is recommended, using mild liquid soap and, if needed, a Teflon scrubbing pad.
4. Regular car wax will restore your bathtubs original luster. Polish and clean your bath using mild soap. We recommend polishing your bath every six months.
5. Small scratches can be removed by buffing lightly with a clean cloth and using either an automotive polishing liquid or toothpaste containing a fine polishing ingredient (like Arm & Hammer or other). For deeper scratches, sand the surface lightly with 400 grit "wet or dry" paper and buff with fine-grit buffing compound. Clean your bath as described above and you will see your bathtub shine as new again. For bigger scratches and/or any other considerable break, please contact us for an acrylic repair specialist referral.
6. You may use bubble baths, bath salts and bath oils just like in an ordinary bathtub, but in smaller amounts, without causing any damage to the blower or the piping system. The therapeutic effect, combined with a bubble bath, may cause excessive bath foam. Use less of any foaming agent when taking a therapeutic or hydromassage bath.
7. After using bath salts and/or oils, you need to refill your bath up to 2" above the highest jet with cold water, and start the system(s) for 2 or 3 minutes in order to rinse all residues that may still be inside the system.
8. Disinfect your bath every month or after a long period of nonuse of the bath system, by following these instructions:
 - a) Fill your bath with hot water 2" above the highest jet.
 - b) Add 2 or 3 tablespoons of powder or liquid dishwasher detergent and a maximum of 4 ounces of household bleach directly in the water (CAUTION: too much bleach could cause stains or dulled spots on the surface of the bathtub).
 - c) Start the system for 30 seconds and then stop it for 30 seconds. Repeat this cycle ten times.
 - d) Empty your bath and fill it again using cold water, and as always, 2" above the highest jet.
 - e) Start the system for 30 seconds and then stop it for 30 seconds. Repeat this cycle five to ten times.
 - f) Empty your bath and wipe dry.

TROUBLESHOOTING

TROUBLESHOOTING YOUR THERAPEUTIC AIR SYSTEM

Blower fails to operate:

1. Check electric power supply. Reset the circuit breaker or replace the fuse if necessary.
2. Verify that the electronic keypad is properly connected.
3. Check the ground fault circuit interrupter. Reset it if tripped.
4. If the system has been running for a long period, it is possible that the integrated thermal protection has turned off the blower. Wait for at least 30 minutes before using the system again.

You must provide a one square foot (minimum) air vent that will let air go through, like a metal grid, to assure a fresh airflow to the blower.

The free air space in the podium (deck) shall be minimum 13.31 cubic feet and is determined by multiplying the outside length (L), the width (W), and the height (H) (1 inch below the overflow) minus the maximum water capacity in cubic feet (1 inch below the overflow). Tip: 7.48 gallons US = 1 cubic ft.

Motor runs but no air comes out of the jets:

1. Verify that main air pipe from manifold to blower is properly connected. If necessary, reconnect it and tighten the screw.
2. The air intake is blocked with debris.
3. No air intake panel was installed and not enough air is available for the blower. Install an air intake panel.

The air heater does not seem to be working:

1. If your tub is installed against two outside walls, it is recommended to adequately insulate these outside walls to minimize heat loss.

2. The blower must be supplied with warm surrounding air and not with cold outside air. The blower should not be installed in a space where room temperature could drop under 68 F (20 °C).
3. People with sensitive skin might experience a *cold air effect*, caused by the tiny air bubbles running over their wet skin, causing the bather to shiver. Please note, when the system is started, the blower uses the warm surrounding air; after a few seconds, the heating element, heats this room temperature air and should eliminate the cold air sensation.
4. You can check if the air injected into the bath is hot by touching the black air pipe under the bath.

WARNING : Never take a bath with water a temperature over 38°C (100F). If you take very hot baths the air injected into the bath may seem cool. This cool sensation is caused by the difference of the warm air temperature and the hot skin temperature. The hotter the water, the cooler the air will seem.

The air heater is not designed to heat nor cool the water in the bathtub, it's designed to heat the air injected into the bath, to a temperature near your normal body temperature.

The blower starts on its own:

1. Your bathtub is equipped with a sophisticated sanitizing/drying system that assures you the highest level of hygiene. The electronic control of your system is designed to start an automatic sanitizing/drying cycle 13 minutes after the blower has stopped. For about two minutes, hot air is blown through the system. Let this automatic cycle complete the drying phase. Do not manually turn off this cycle; it will start again 13 minutes later. **Refer to "How the Drying Cycle Works" in the Operation section of this manual on page 12.**

WARNING

This Instruction & Warranty booklet shall be removed only by the final user prior to using this unit.